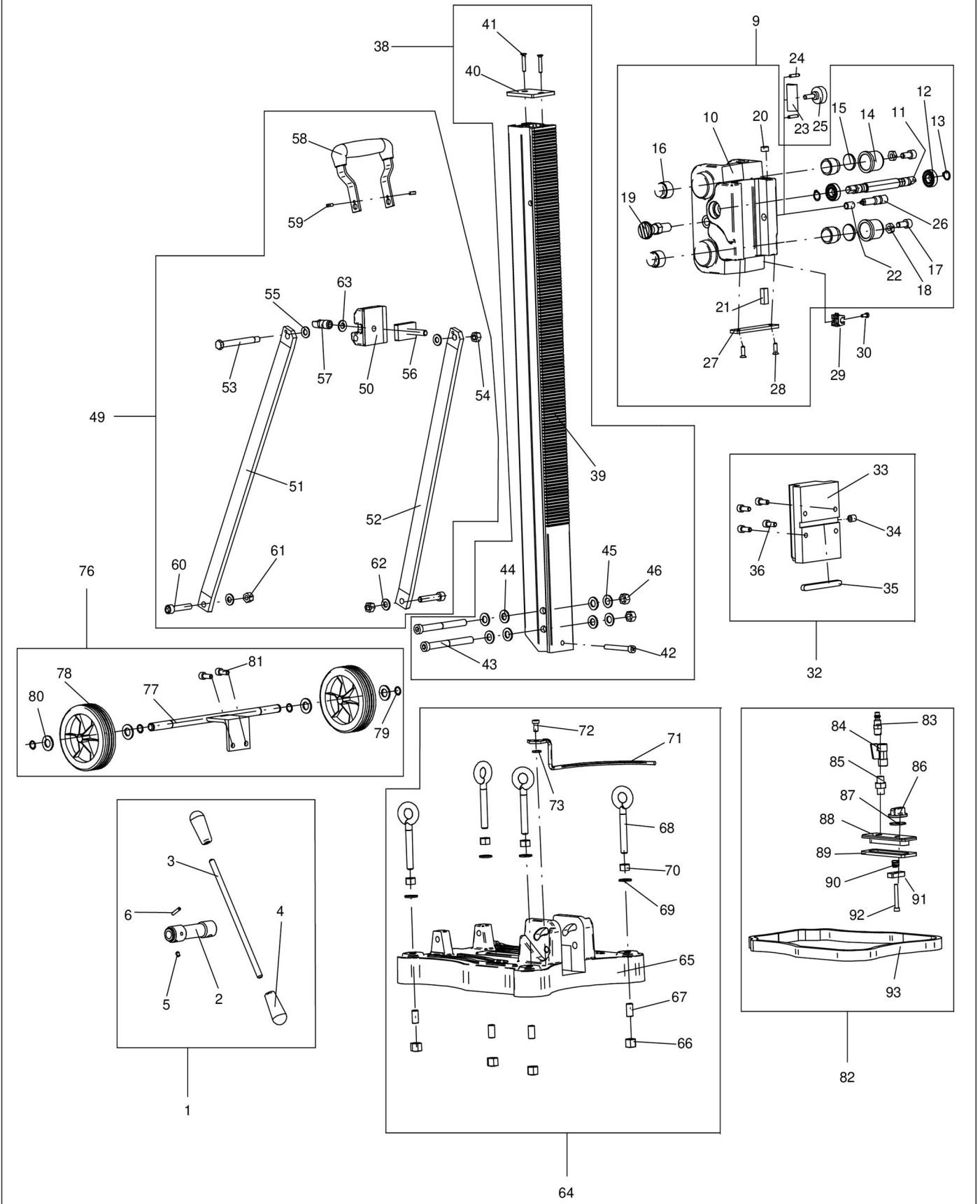


BST 352 V



BST 352 V

Pos.	Description	Item No.	pc.
1	Turnstile, compl.	79600524	1
2	Turnstile	796UN524	1
3	Lever	796UN746	1
4	Knob	40600061	2
5	Spring loaded thrust piece	85000157	1
6	Parallel pin 5x24	80200588	1
9	Machine holder, compl.	79600335	1
10	Machine holder	796UN335	1
11	Pinion shaft	796UN512	1
12	Grooved ball bearing 6002 2RS	80410037	2
13	Retaining ring 15x1	80201322	2
14	Bushing	796UN305	2
15	Disc 30x4	40600017	2
16	Thrust piece	79646788	4
17	Screw M10x18	80201453	2
18	Nut M10	80201039	2
19	Locking bolt M16	85000191	1
20	Circular level	85000153	1
21	Horizontal bubble level	85000152	2
22	Thread insert M12x18	85000177	1
23	Brake	796UN336	1
24	Parallel pin 5x24	80200588	2
25	Knurled screw M8x25	85000158	1
26	Locking device	796UN535	1
27	Bracket	796UN319	1
28	Screw M6x20	80201158	2
29	Clamp	80600178	1
30	Screw M5x12	80201230	1
32	Adapter plate, compl.	79600932	1
33	Adapter plate	796UN932	1
34	Drill bushing	80201051	1
35	Parallel key 10x8x100	80200613	1
36	Screw M8x20	80201147	4
37	Screw M6x20	80201124	4
38	Column, compl.	79600302	1
39	Column	796UN302	1
40	Column cap	796UN306	1
41	Screw M5x20	80201168	2
42	Screw M8x70	80201167	1
43	Screw M12x120	80201176	2
44	Washer 13 PA6	80201388	4
45	Washer 13	80201381	4
46	Nut M12	80201036	2

Pos.	Description	Item No.	pc.
49	Brace support, compl.	79600318	1
50	Supporting holder	796UN318	1
51	Supporting bracer left	796UN591	1
52	Supporting bracer right	796UN590	1
53	Screw M10x100	80201612	1
54	Nut M10	80201033	1
55	Pressure washer	85000003	2
56	Square M10x60	796UN325	1
57	Locking device	796UN536	1
58	Handle	796UN543	1
59	Grooved pin 5x14	80200569	2
60	Screw M10x50	80201435	2
61	Nut M10	80201034	2
62	Washer 10,5 PA6	80201384	2
63	Washer 10,5	80201380	1
64	Base, compl.	79600309	1
65	Base	796UN309	1
66	Nut M12	80201013	4
67	Thread insert M12x24	85000163	4
68	Ring screw M12x85	80201144	4
69	Washer 13	80201381	4
70	Nut M12	80201014	4
71	Centring display	796UN338	1
72	Screw M8x16	80201160	1
73	Washer 8,4 PA6	80201383	1
76	Wheel axle, compl.	79600326	1
77	Wheel axle	796UN326	1
78	Solid rubber wheel	85000178	2
79	Retaining ring 14x1	80201318	4
80	Washer 15	80201352	4
81	Screw M8x20	80201147	2
82	Vacuum set for BST 352 V	3585G000	1
83	Plug-in nipple	83000104	1
84	Mini ball valve	83000600	1
85	Double nipple	85000147	1
86	Switch button	796UN516	1
87	Gasket	796UN501	1
88	Vacuum cover	796UN346	1
89	Gasket	796UN347	1
90	Compression spring	85000175	1
91	Locking	796UN502	1
92	Screw M8x55	80201224	1
93	Vacuum rubber	796UN314	1