

CS UNITEC, INC.

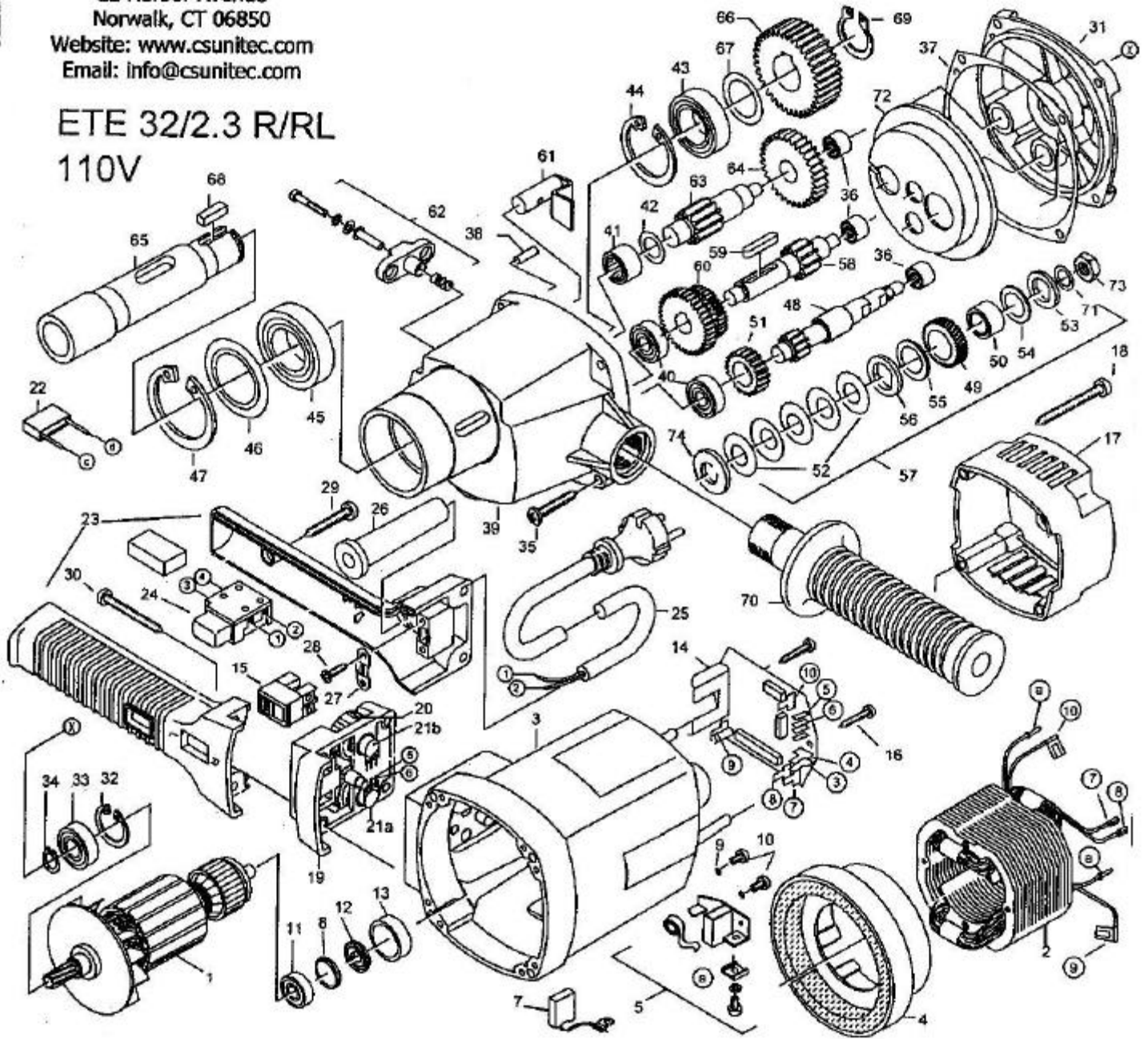
22 Harbor Avenue
Norwalk, CT 06850

Website: www.csunitec.com

Email: info@csunitec.com

ETE 32/2.3 R/RL

110V



Not responsible for typographical errors.

| POS. NO. | ITEM NO. | DESCRIPTION | |
|-----------------|-----------------|----------------------------|-------------------|
| 21a | 80500020 | Speed Dial 220 VOLT | |
| 21b | 80500007 | Torque Dial | |
| 42 + 74 | 71540517 | Disk of Needle Bearing | |
| 1 | 74321100 | Rotor, Complete | |
| 2 | 71528150 | Stator, Complete | |
| 3 | 7742A200 | Motor Housing | |
| 4 | 71540140 | Air Guiding Ring | |
| 5 | 80201199 | Carbon Brush Holder | |
| 7 | 80700021 | Carbon Brushes | |
| 8 | 73320999 | Disk | |
| 9 | 80201385 | Spring Disk 34 | |
| 10 | 80201180 | Screw CM4x12 | |
| 11 | 80410021 | Ball Bearing | See 100 579 |
| 12 | 80701002 | Magnet Ring | |
| 13 | 73320315 | Bearing Seal | |
| 14 | 74329280 | Circuit Board - ETE 32/2.3 | 110 Volt |
| 15 | 80600110 | Reverser | |
| 16 | 80201260 | Self Tapping Screw | |
| 17 | 7742A240 | Motor Cap | |
| 18 | 80201267 | Screw | Replaces 050.0112 |
| 19 | 7152B293 | Spacer | |
| 20 | 71521230 | Selector Wheel | |
| 22 | 80500010 | Condensor-SEE #80500014 | |
| 23 | 71527260 | Side Handle | |
| 24 | 80600114 | Switch | |
| 25 | 80600085 | Connection Cable | |
| 26 | 71323255 | Cable Sleeve | |
| 27 | 71540330 | Locking Flange | |
| 28 | 80201271 | Screw 4.2x16 | |
| 29 | 80201291 | Screw | |
| 30 | 80201294 | Self Tapping Screw | |
| 31 | 7152B610 | End Shield | |
| 32 | 80201333 | Safety Ring 28/1.2 | Replaces 050.0166 |
| 33 | 80410031 | Bearing | Replaces 032.0171 |
| 34 | 80201320 | Safety Ring | Replaces 050.0176 |
| 35 | 80201292 | Screw 4.2x16 | |
| 36 | 80420110 | Needle Sleeve | Replaces 050.0161 |
| 37 | 74429620 | Paper Seal | |
| 38 | 80200580 | Notched Pin 5x16 | |
| 39 | 71521400 | Gearbox Housing | |
| 40 | 80410020 | Bearing | |
| 41 | 80420001 | Needle Bearing | |
| 43 | 80410061 | Ball Bearing | See 223 158 |
| 44 | 80201336 | Locking Ring | |

CS Unitec, Inc.

22 Harbor Ave, Norwalk, CT 06850

Telephone: 203-853-9522 Toll Free: 800-700-5919 Fax: 203-853-9921

WebSite: www.csunitec.com E-Mail: info@csunitec.com

Not responsible for typographical errors.

| POS. NO. | ITEM NO. | DESCRIPTION | |
|-----------------|-----------------|------------------------------|-------------------|
| 45 | 80410070 | Grooved Ball Bearing | |
| 46 | 71540426 | Disk F. Grooved Ball Bearing | |
| 47 | 80201338 | Locking Ring | |
| 48 | 71526490 | Intermediate Shaft 1 | |
| 49 | 7154E550 | Coupling Wheel | |
| 50 | 80420240 | Gear Sleeve | |
| 51 | 71521470 | Intermediate Wheel 1 | |
| 52 | 80200716 | Spring Washer | |
| 53 | 73116496 | Washer | |
| 54 | 73116497 | Washer | |
| 55 | 73430498 | Clutch Washer | |
| 56 | 73430499 | C-Clip | |
| 57 | 71526493 | Coupling, Complete | |
| 58 | 71526500 | Intermediate Shaft 2 | |
| 59 | 80200602 | Fitting Spring, hardened | Replaces 050.0301 |
| 60 | 71521440 | Cluster Gears | |
| 61 | 71521520 | Coupling Bolt | |
| 62 | 71540545 | Gear Switch | Replaces 040.0286 |
| 63 | 71521510 | Intermediate Shaft 3 | |
| 64 | 71526480 | Intermediate Wheel 2 | |
| 65 | 71540420 | Work Spindle | |
| 66 | 71540430 | Spindle Wheel | |
| 67 | 80200512 | Fitting Disk | |
| 68 | 80200606 | Fitting Spring | |
| 69 | 80201326 | Locking Ring | |
| 70 | 71526590 | Tube Handle, Complete | |
| 71 | 80200710 | Disk Spring | |
| 72 | 7152B625 | Grease Chamber | |
| 73 | 80201007 | Nut, Hexagon 8m10 x 1 | |

CS Unitec, Inc.

22 Harbor Ave, Norwalk, CT 06850

Telephone: 203-853-9522 Toll Free: 800-700-5919 Fax: 203-853-9921

WebSite: www.csunitec.com E-Mail: info@csunitec.com