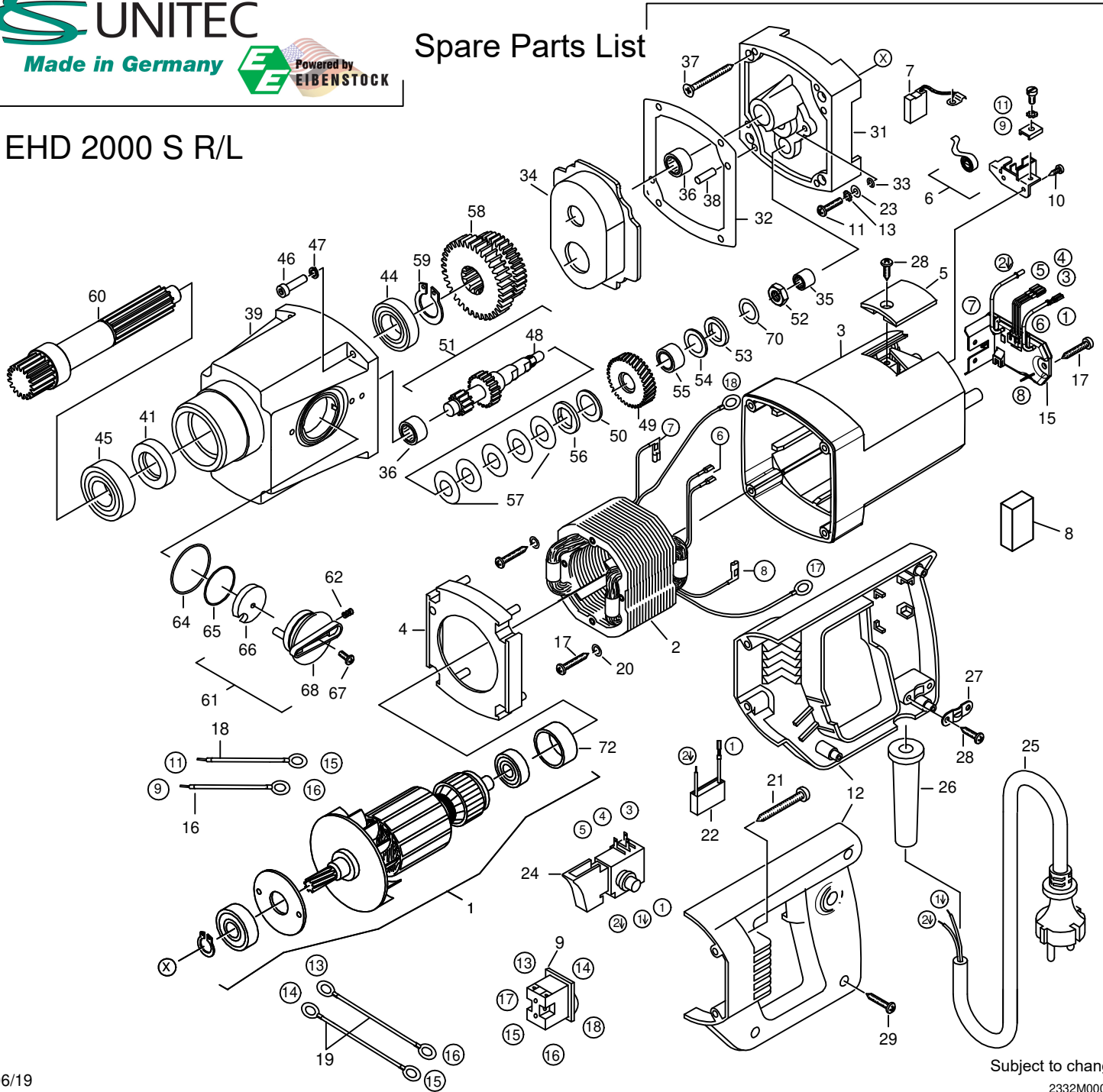


Spare Parts List

EHD 2000 S R/L



06/19

Subject to change!

2332M000-01

**0332N000****EHD 2000 S R/L - 120V**

Pos.	Description	Item No.	pc.	Pos.	Description	Item No.	pc.
1	Rotor, compl. 110V	7332N100	1	46	Screw M5x20	80201121	4
2	Stator, compl. 110V	74329150	1	47	Spring lock washer 5	80201302	4
3	Motor housing	80900069	1	48	Intermediate shaft	73320490	1
4	Air guiding ring	80900072	1	49	Clutch wheel	73323550	1
5	Brush cover	80900073	2	50	Brass washer 28,5x14,1x2	85000084	1
6	Brush holder, compl.	80204515	2	51	Clutch, compl.	7332649K	1
7	Carbon brush 6,3x16x20	80700077	2	52	Nut M10x1	80201007	1
8	Foam filler	80600306	1	53	Driving washer	73116496	1
9	Switch	80600103	1	54	Bronze disc 25x12,1x1	85000083	1
10	Screw 2,9x13	80201252	4	55	Cylinder bearing 1208 T	80420240	1
11	Screw M4x16	80201131	2	56	Driving washer	73331496	1
12	Pair of handle halves	7122H261	1	57	Disc spring 28x14,2x1	80200722	5
13	Tooth lock washer 4,3	80200752	2	58	Gear block	73320440	1
15	Printed circuit board 110V	7332N280	1	59	Retaining ring 19x1,2	80201319	1
16	Flexible wire 1	7122H183	1	60	Work spindle	7332M420	1
17	Screw 4,2x25	80201273	4	61	Gear changer, compl.	73320545	1
18	Flexible wire 2	7122H184	1	62	Snap bolt	80430029	1
19	Interconnecting wire	80600243	2	64	O-ring 36x1,5	83000022	1
20	Lock washer S6	80201362	2	65	O-ring 28x1	83000017	1
21	Screw 4,8x45	80201267	4	66	Mounting plate	73320542	1
22	Capacitor	73320305	1	67	Screw M3x12	80201149	1
23	Washer 4,3	80201371	2	68	Switch button	80900074	1
24	Switch	80600116	1	70	Disc spring 25x12,2x1,25	80201307	1
25	Connecting cable 2x14 AWG 5m	80600281	1	71	Side handle, compl.	7332L695	1
26	Cable grommet	83000004	1	72	Bearing cap	83000031	1
27	Wire locking flange	85000020	1				
28	Screw 4,2x13	80201270	4				
29	Screw 4,2x22	80201272	3				
31	End shield of gearing	73320610	1				
32	Gearbox seal	82000501	1				
33	O-ring 3,68x1,78	83000019	2				
34	Grease compartment barrier	80900120	1				
35	Needle sleeve HK0810	80420110	1				
36	Needle sleeve HK1210B	80420131	2				
37	Screw 4,5x50	80201275	4				
38	Grooved pin 5x16	80200580	2				
39	Gearbox housing	73320400	1				
41	Shaft seal 20x35x7	83000078	1				
44	Grooved ball bearing 6904 2RS	80410152	1				
45	Grooved ball bearing 6004 2RS	80410051	1				